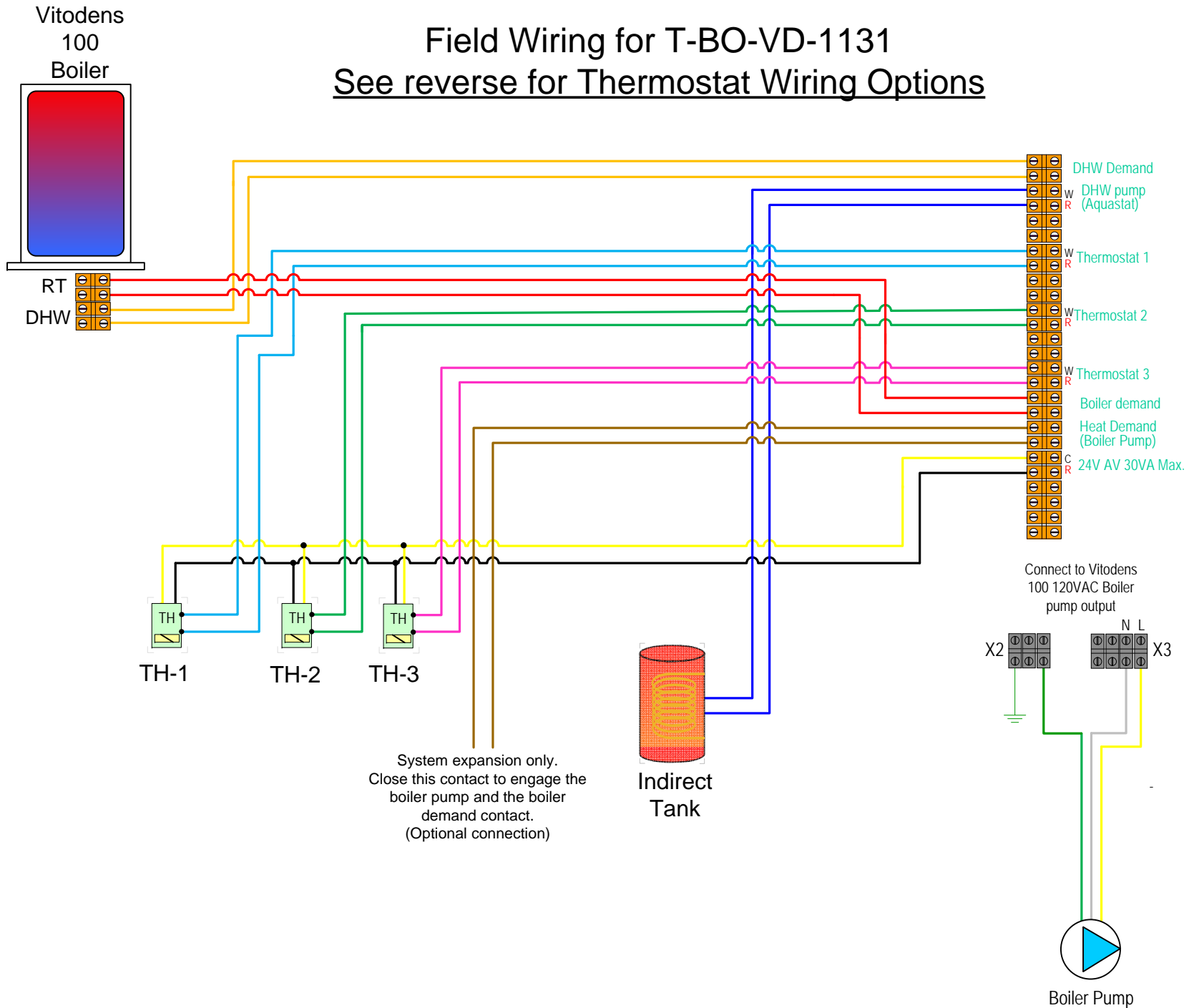




Notes:
 This is not an engineered drawing and does not necessarily include all the components for an entire system. It is intended as a representative sample of how the control may be wired for a sample application. It is the responsibility of the installer to seek professional advice and/or install the system to meet all necessary codes for the jurisdiction of the actual installation.

Field Wiring for T-BO-VD-1131

See reverse for Thermostat Wiring Options



Title

Date:

Drawn:

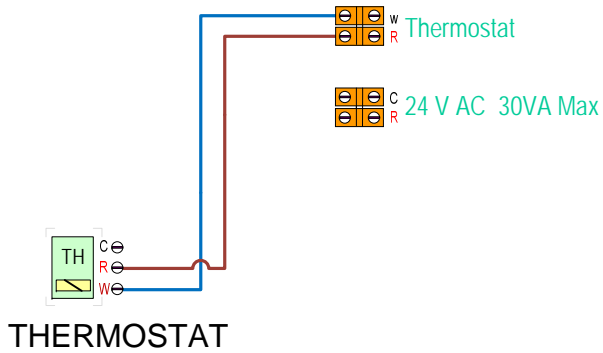


Thermostat Wiring Options

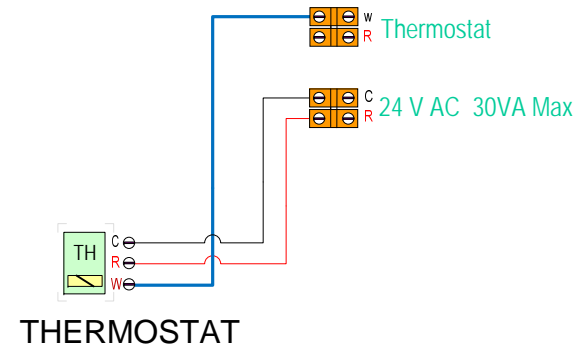


Notes:
 This is not an engineered drawing and does not necessarily include all the components for an entire system. It is intended as a representative sample of how the control may be wired for a sample application. It is the responsibility of the installer to seek professional advice and/or install the the system to meet all necessary codes for the jurisdiction of the actual installation.

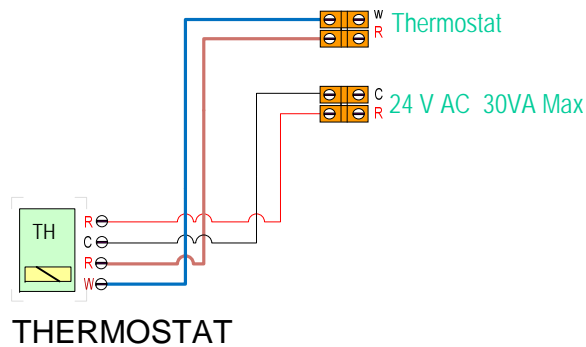
2 Wire Thermostat



3 Wire Thermostat



4 Wire Thermostat



Title

Date:

Drawn:

